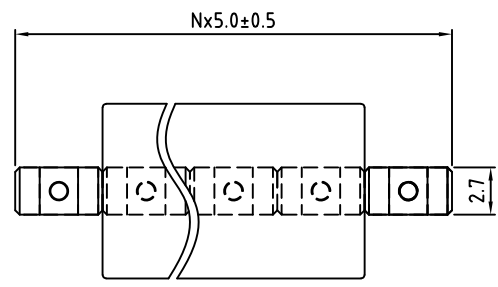
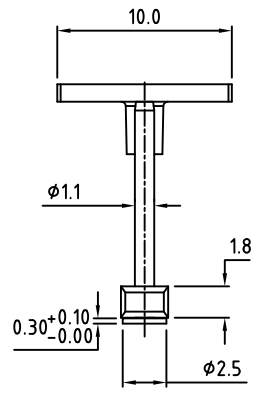
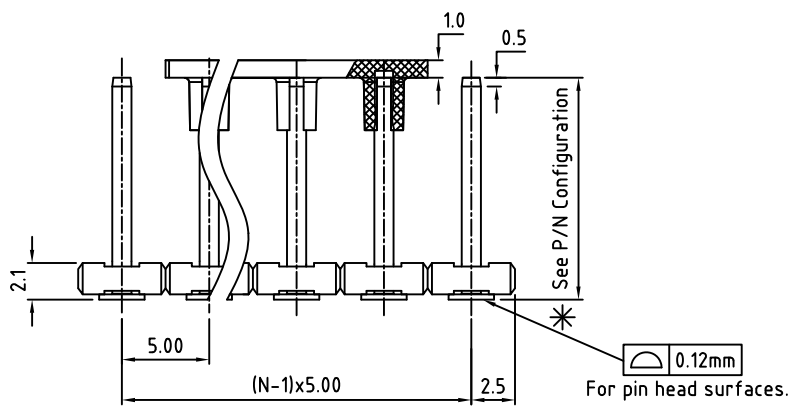


RoHS Compliant

Rev.	ECO#	Date	By
M	1617-0425	04/14/25	MWP

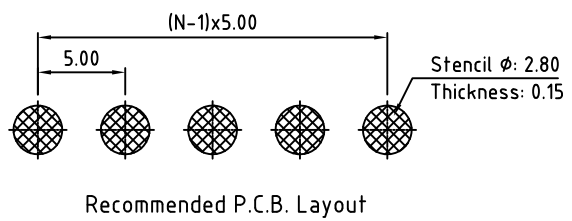
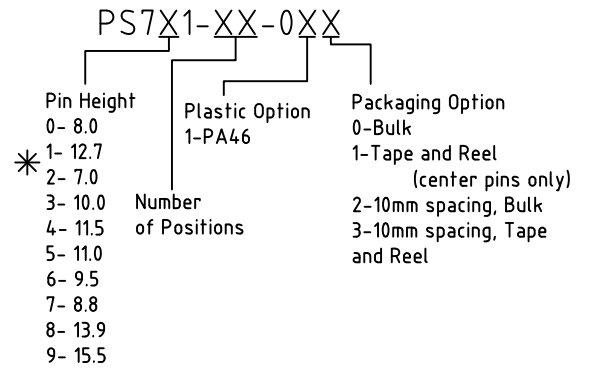


N=Number of Positions

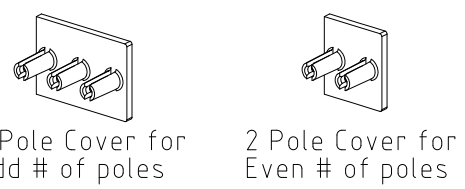


Material:	
Contact Solder Pin:	Brass, Tin Plated
Insulating Body:	Polyamide, PA46, UL94V-0
Pickup Cover:	Polyamide, PA46
Electrical	
Voltage Rating:	300 VAC
Current rating:	10 AMPS
Withstand Voltage:	1500 VAC, Test time 60 seconds
Contact Resistance:	< 5mΩ
Mechanical	
Operating Temperature:	-40°C to +125°C -40°F to +257°F
Soldering Temperature:	260°C, 500°F for 5 seconds max.
Safety Approval:	UL US

Part Number Configuration



Pickup Covers (Optional)



Max Number of Positions = 24 All Dimensions in Millimeters

TITLE: 5.00mm SPACING, PIN STRIP WITH OPTIONAL PICK AND PLACE COVER

METRIC LIMITS ONE PLACE ±0.3 TWO PLACES ±0.10 ANGLE ± 1°	SCALE	THIS IS A CONFIDENTIAL DRAWING AND MUSTBE TREATED AS SUCH. NO DISTRIBUTION IS ALLOWED WITHOUT WRITTEN APPROVAL BY EBV ELECTRO INC.	Amphenol EBV Electro Inc. PLAINVIEW, NY 11803
---	-------	--	---

IMPORTANT DISCLAIMER: All information provided on this print is for reference. Always perform your own tests and acquire samples and further information to determine product suitability. While we make effort to provide accurate information, we cannot be responsible for errors either of omission or typographical. EBV Electro, Inc. assumes no responsibility for the use or suitability of any product. All products and specifications are subject to change without prior written notice.

DRAWN AJT	DATE 08/15/13	SIZE A	DRAWING NUMBER: PS7X1-XX-0XX	REV. M
CHECKED	DATE			
APPROVED	DATE			