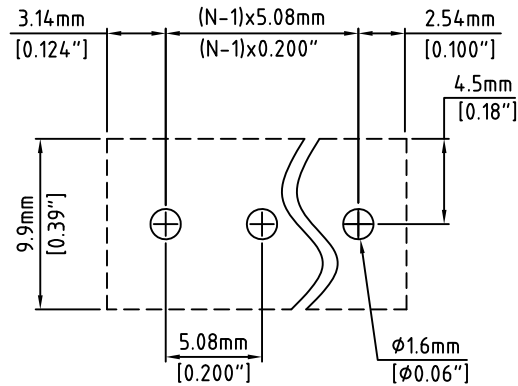
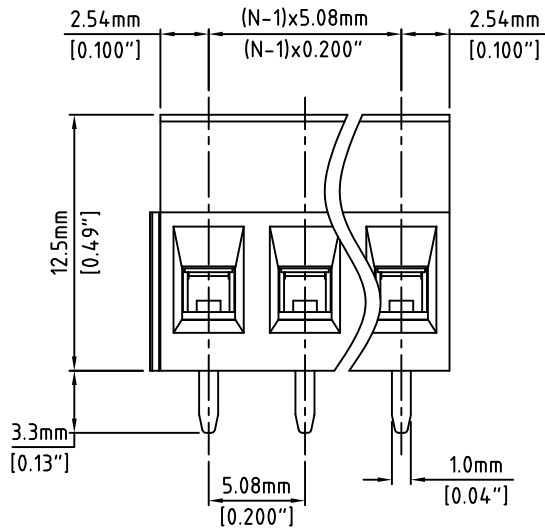


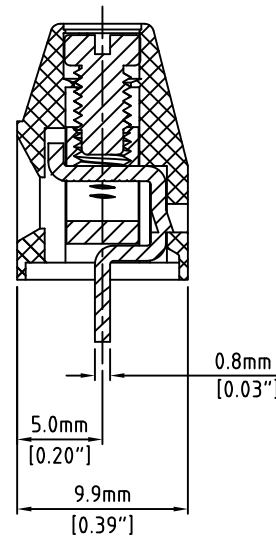
N=Number of Positions



P.C.B. Layout

RoHS Compliant	Rev.	Description/Eco	Date	By

Material:	
Contact Block:	Brass, Nickel Plated
Contact Solder Pin:	Brass, Tin Plated
Screw:	M3.0, Steel, Zinc Plated, "-" slotted
Insulating Body:	Polyamide, UL94V-0
Electrical	
Voltage Rating:	300 VAC
Current rating:	15 AMPS
Withstand Voltage:	1500 VAC, Test time 60 sec
Wire Range:	12-28 AWG
Mechanical	
Torque:	3.5 lbs-in. Max
Operating Temperature:	-40°C to +105°C -40°F to +221°F
Soldering Temperature:	260°C, 500°F for 5 seconds
Safety Approval:	



Part Number Configuration.

EB858-XX-X00

Number of Positions: 0-Black, 5-Green, 6-Blue  
Color Option

(Other Color Options Available)  
Please consult Factory

UNLESS OTHERWISE SPECIFIED BREAK ALL SHARP EDGES AND DEBURR ALL HOLES

TITLE:

5.08mm SPACING, CAGE CLAMP BLOCK

LIMITS: UNLESS OTHERWISE SPECIFIED  
HUND. ±.02 FRACT. ±1/64  
THOU. ±.005 ANGLE ±1°

SCALE

THIS IS A CONFIDENTIAL DRAWING AND MUST BE TREATED AS SUCH. NO DISTRIBUTION IS ALLOWED WITHOUT WRITTEN APPROVAL BY EB ELECTRO INC.



IMPORTANT DISCLAIMER: All information provided on this print is for reference. Always perform your own tests and acquire samples and further information to determine product suitability. While we make effort to provide accurate information, we cannot be responsible for errors either of omission or typographical. EB Electro, Inc. assumes no responsibility for the use or suitability of any product. All products and specifications are subject to change without prior written notice.

METRIC LIMITS  
ONE PLACE ±0.3  
TWO PLACES ±0.10  
ANGLE ±1°

DRAWN   JM   DATE   09/08/10    
CHECKED        DATE         
APPROVED        DATE       

SIZE   A   DRAWING NUMBER:   EB858-XX-X00   REV.