

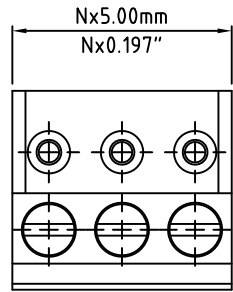
RoHS Compliant

Rev.

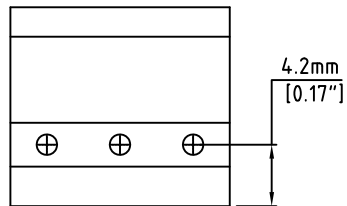
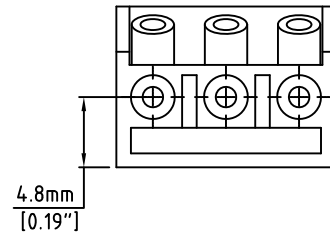
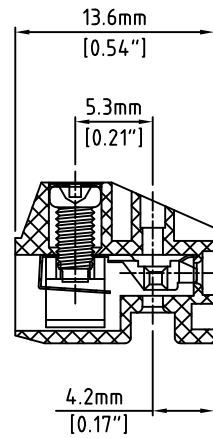
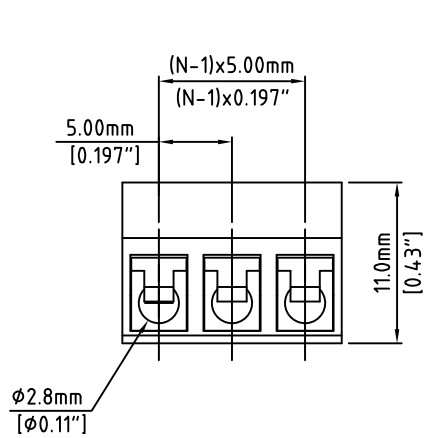
Description/Eco

Date

By



N=Number of Positions



Material:	
Contact Block:	Brass, Ni Plated
Wire Guard:	PhBz
Terminal Screw:	M2.6, Steel, Zinc Plated
Insulating Body:	Polyamide, UL94V-0, Black
Electrical	
Voltage Rating:	300 VAC
Current rating:	15 AMPS
Wire Range:	14-22 AWG
Withstand Voltage:	1500 VAC, Test time 60 seconds
Mechanical	
Torque:	3.5 lbs-in Max
Operating Temperature:	-40°C to +105°C -40°F to +221°F
Soldering Temperature:	260°C, 500°F for 5 seconds max.
Safety Approval:	UL US

Part Number Configuration.

EB582-XXDS-000

Number of Positions: X
Color: 0-Black

(Other Color Options Available)
Please consult Factory

Max Number of Positions = 24

UNLESS OTHERWISE SPECIFIED BREAK ALL SHARP EDGES AND DEBURR ALL HOLES	TITLE: 5.00mm SPACING, PLUGGABLE BLOCK	
	LIMITS: UNLESS OTHERWISE SPECIFIED HUND.±.02 FRACT.±1/64 THOU.±.005 ANGLE±1°	SCALE THIS IS A CONFIDENTIAL DRAWING AND MUSTBE TREATED AS SUCH. NO DISTRIBUTION IS ALLOWED WITHOUT WRITTEN APPROVAL BY EB5 ELECTRO INC.
DRAWN JM DATE 12/06/07		 PLAINVIEW, NY 11803
CHECKED DATE APPROVED DATE		

IMPORTANT DISCLAIMER: All information provided on this print is for reference. Always perform your own tests and acquire samples and further information to determine product suitability. While we make effort to provide accurate information, we cannot be responsible for errors either of omission or typographical. EB5 Electro, Inc. assumes no responsibility for the use or suitability of any product. All products and specifications are subject to change without prior written notice.

METRIC LIMITS ONE PLACE ±0.3 TWO PLACES ±0.10 ANGLE ±1°	DRAWING NUMBER: EB582-XXDS-000	REV.
------------------------------------------------------------------	-----------------------------------	------