

PRODUCT BULLETIN

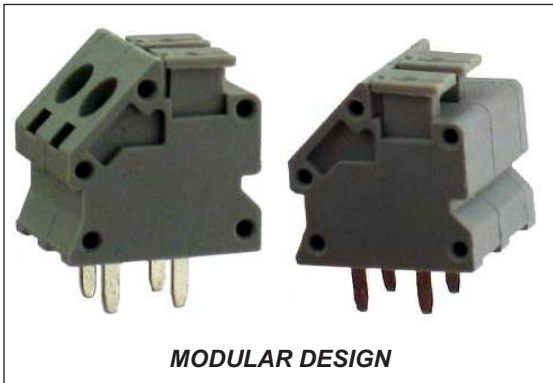
SPRING CLAMP TERMINAL BLOCK

45° Screwless Terminal Block
5mm Centerline
Series EB5600

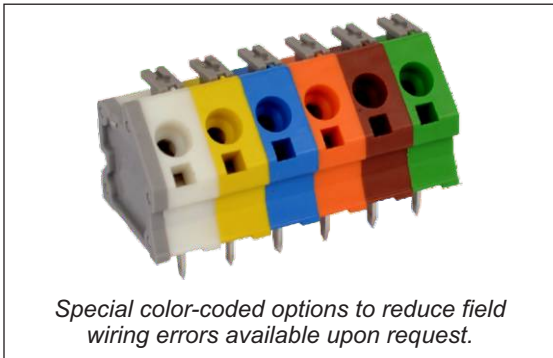


www.ebyelectro.com

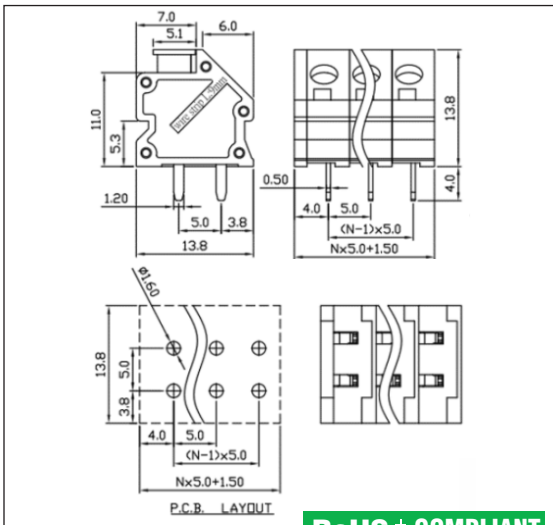
EB5600 SERIES SCREWLESS



AVAILABLE COLOR CODED



DIMENSIONAL DRAWINGS



RoHS + COMPLIANT

FEATURES

- PCB terminal block with 45° wire entry and easy push down lever makes field wiring easy in tight spots
- Spring clamp termination eliminates possibility of loose screws
- Test point connection located below wire entry
- 300V / 7 Amps / 16-24 AWG
- Double pins per position for increased mechanical stability

Field wiring applications include audio/video, industrial controls, metering, security, access controls, datacom and monitoring equipment

TECHNICAL DATA

APPROVAL: UL1059



Nominal Voltage.....	300 Volts
Nominal Current	7 Amps
Wire Range	16-24 AWG
Dielectric Breakdown	1600 Volts

APPROVAL: IEC / EN60998

Rated Insulation Voltage at Pollution Degree 2 (v)	250
Rated Current / Conductor Cross-Section (A/mm ²)	7 / 1.5
Overvoltage Category	III III II
Pollution Degree	3 2 2
Rated Insulation Voltage (v)	160 250 320
Rated Surge Voltage (kv)	2.5 2.5 2.5

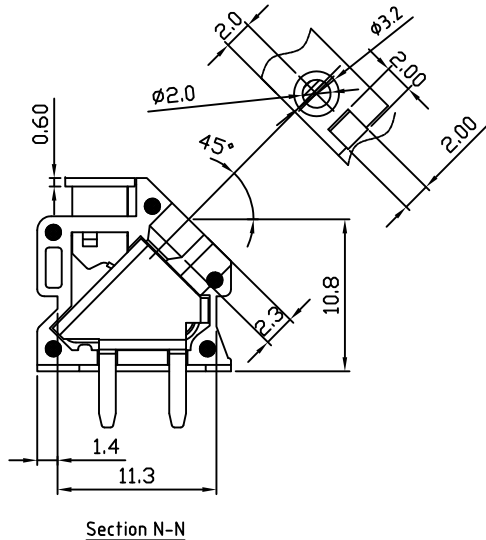
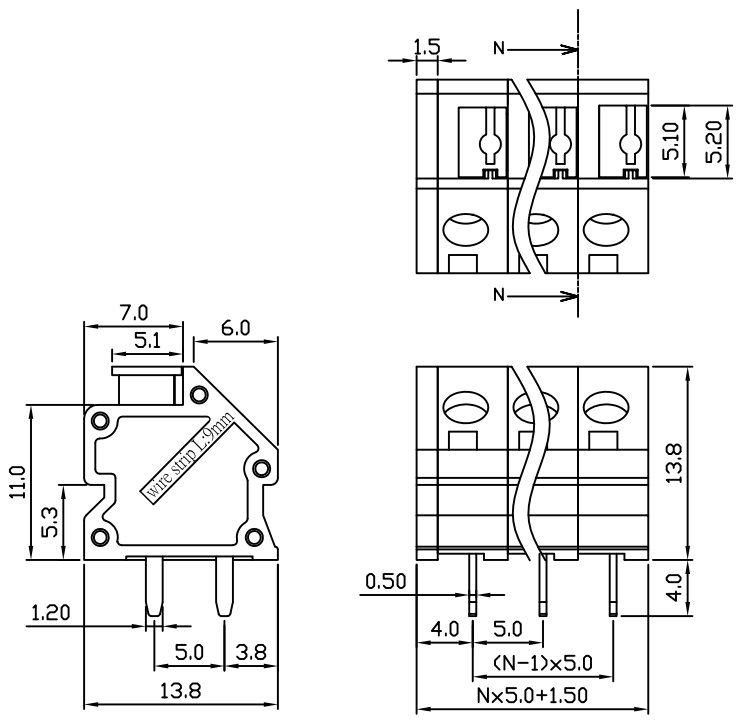
MATERIAL DATA

Insulation Material Group.....	I (CTI > 600V)
Insulation Material.....	Polyamide (PA 66)
Flammability Rating Per UL 94.....	V0
Operating Temperature.....	-40°C to +115°C
Soldering Temperature	260°C / 500°F / 5 Sec Max
Wire Stripping Length (mm).....	8 - 9

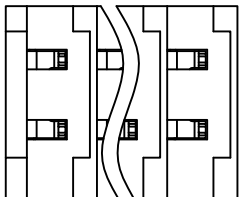
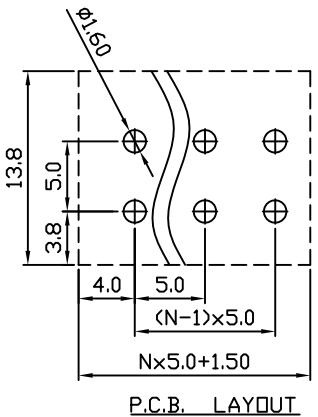
Corporate Headquarters: EBY Electro, Inc · 210 Express Street · Plainview, NY 11803-2423 USA
Tel: (516) 576-7777 · Fax: (516) 576-1414 · Email: info@EBYelectro.com

RoHS Compliant

Rev.	ECO#	Date	By
A	1055-1015	10/16/15	AJT



Material:	
Contact:	Brass, Tin Plated
Wire Retention Spring:	Stainless Steel
Insulating Body:	Thermoplastic, UL94V-0
Wire Release Button:	Thermoplastic, UL94V-0
Electrical	
Voltage Rating:	300 VAC
Current rating:	7 AMPS
Wire Range:	16-24 AWG
Mechanical	
Operating Temperature:	-40°C to +115°C -40°F to +239°F
Soldering Temperature:	260°C, 500°F for 5 seconds
Safety Approval:	UL US



Part Number Configuration.

EB5600-XX-X00

Number of Positions: 0-Black, 8-Grey

(Other Color Options Available) Please consult Factory

Max Number of Positions = 24

UNLESS OTHERWISE SPECIFIED BREAK ALL SHARP EDGES AND DEBURR ALL HOLES	TITLE: 5.00mm SPACING, MODULAR, SCREWLESS BLOCK
---	--

LIMITS: UNLESS OTHERWISE SPECIFIED HUND. ±0.02 THOU. ±0.005	FRACT. ±1/64 ANGLE ±1°	SCALE	THIS IS A CONFIDENTIAL DRAWING AND MUST BE TREATED AS SUCH. NO DISTRIBUTION IS ALLOWED WITHOUT WRITTEN APPROVAL BY EB5 ELECTRO INC.	EBY Electro Inc. PLAINVIEW, NY 11803
---	---------------------------	-------	---	--

IMPORTANT DISCLAIMER: All information provided on this print is for reference. Always perform your own tests and acquire samples and further information to determine product suitability. While we make effort to provide accurate information, we cannot be responsible for errors either of omission or typographical. EB5 Electro, Inc. assumes no responsibility for the use or suitability of any product. All products and specifications are subject to change without prior written notice.	METRIC LIMITS ONE PLACE ±0.3 TWO PLACES ±0.10 ANGLE ±1°	DRAWN: AJT	DATE: 09/11/15	SIZE: A	DRAWING NUMBER: EB5600-XX-X00	REV.: A
		CHECKED: _____	DATE: _____			
		APPROVED: _____	DATE: _____			