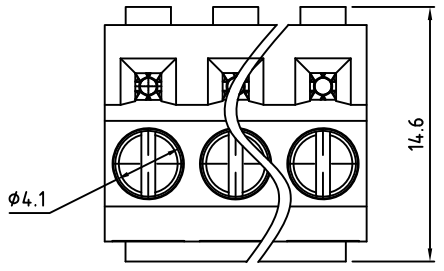
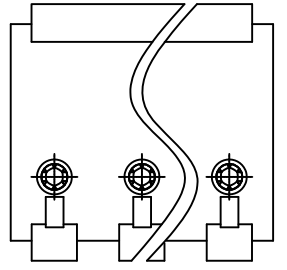
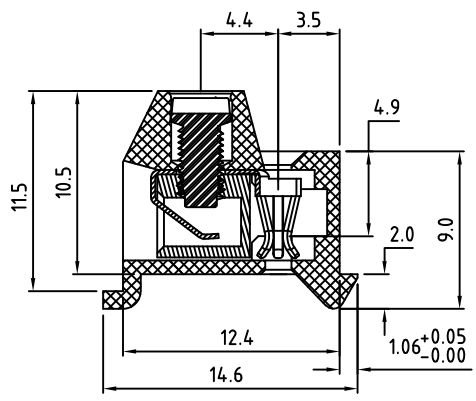
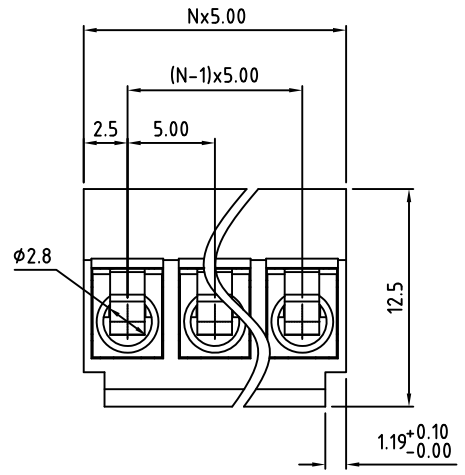


RoHS Compliant

Rev.	ECO#	Date	By
B	1591/0924	09/04/24	MWP



N=Number of Positions



Material:	
Contact Block:	Brass, Ni Plated
Wire Guard:	PhBz, Tin Plated
Screw:	M2.6, Steel Zinc Plated
Insulating Body:	Polyamide, UL94V-0
Electrical	
Voltage Rating:	300 VAC
Current rating:	10 AMPS
Withstand Voltage:	1500 VAC, Test time 60 sec
Wire Range:	14-24 AWG, solid and stranded
Mechanical	
Torque:	3.5 Lbs-in. Max
Operating Temperature:	-40°C to +115°C -40°F to +239°F
Safety Approval:	C US

Part Number Configuration.

EB557-XXDS-0X0

Number of Positions: 0-Black, 3-Phil Slot "+"
 Color: 0-Black, 3-Phil Slot "+"
 Screw Option: 0-Slotted "-", 3-Phil Slot "+"

Note:

- Mates with a $\phi 1.1\text{mm}$ pin.
- Insertion and Withdraw force 100g to 550g per position

(Other Color Options Available)
 (Please consult Factory)

Max Number of Positions = 24 All Dimensions in Millimeters

TITLE: 5.00mm SPACING, PLUGGABLE BLOCK, CHASSIS MOUNT

METRIC LIMITS
 ONE PLACE ± 0.3
 TWO PLACES ± 0.10
 ANGLE $\pm 1^\circ$

SCALE

THIS IS A CONFIDENTIAL DRAWING AND MUST BE TREATED AS SUCH. NO DISTRIBUTION IS ALLOWED WITHOUT WRITTEN APPROVAL BY EB ELECTRO INC.



IMPORTANT DISCLAIMER: All information provided on this print is for reference. Always perform your own tests and acquire samples and further information to determine product suitability. While we make effort to provide accurate information, we cannot be responsible for errors either of omission or typographical. EB Electro, Inc. assumes no responsibility for the use or suitability of any product. All products and specifications are subject to change without prior written notice.

DRAWN MWP DATE 10/02/09
 CHECKED DATE _____
 APPROVED DATE _____

SIZE A

DRAWING NUMBER: EB557-XXDS-0X0

REV. B