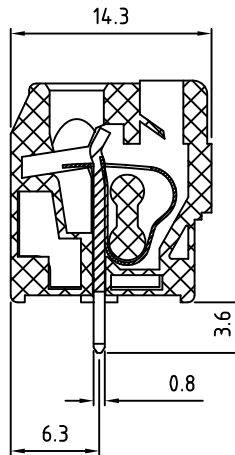
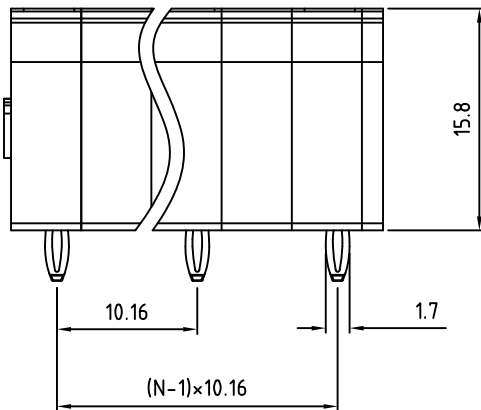
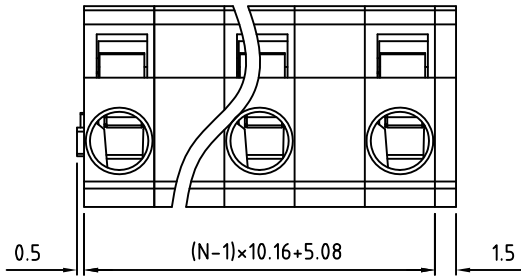


RoHS Compliant

Rev.	ECO#	Date	By
D	0442-0413	04/05/13	AJT



Material:	
Contact Press Pin:	Brass, Tin Plated
Wire Retention Spring:	Stainless Steel
Insulating Body:	Polyamide, UL94V-0
Electrical	
Voltage Rating:	250 VAC
Current rating:	8 AMPS
Withstand Voltage:	1500 VAC, Test time 60 sec
Wire Range:	12-28 AWG
Mechanical	
Operating Temperature:	-40°C to +105°C -40°F to +221°F
Safety Approval:	US

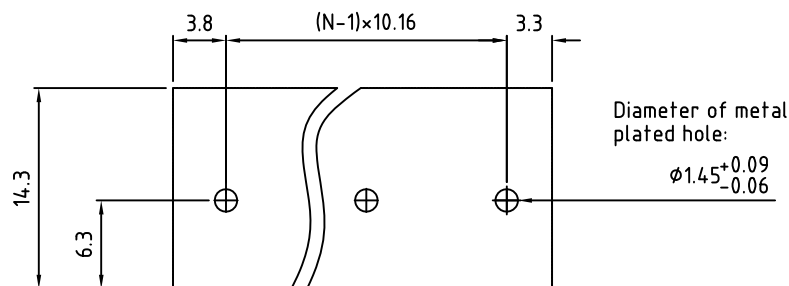
N=Number of contacts

Part Number Configuration.

EB488-XX-813

Number of Positions      Color  
8-Grey

(Other Color Options Available)  
Please consult Factory



PCB Layout

MAX NUMBER OF POSITIONS = 12

UNLESS OTHERWISE SPECIFIED BREAK ALL SHARP EDGES AND DEBURR ALL HOLES	TITLE:		Electro Inc. PLAINVIEW, NY 11803
	10.16mm SPACING, SCREWLESS BLOCK		
LIMITS: UNLESS OTHERWISE SPECIFIED HUND.±0.2      FRACT.±1/64 THOU.±0.005      ANGLE±1°	SCALE	THIS IS A CONFIDENTIAL DRAWING AND MUSTBE TREATED AS SUCH. NO DISTRIBUTION IS ALLOWED WITHOUT WRITTEN APPROVAL BY EB4 ELECTRO INC.	

IMPORTANT DISCLAIMER: All information provided on this print is for reference. Always perform your own tests and acquire samples and further information to determine product suitability. While we make effort to provide accurate information, we cannot be responsible for errors either of omission or typographical. EB4 Electro, Inc. assumes no responsibility for the use or suitability of any product. All products and specifications are subject to change without prior written notice.

METRIC LIMITS ONE PLACE ±0.3 TWO PLACES ±0.10 ANGLE ±1°	DRAWN <u>  JM  </u> DATE <u>  08/02/07  </u>	SIZE <u>  A  </u>	DRAWING NUMBER: <u>  EB488-XX-813  </u>	REV. <u>  D  </u>
	CHECKED _____      DATE _____			
	APPROVED _____      DATE _____			