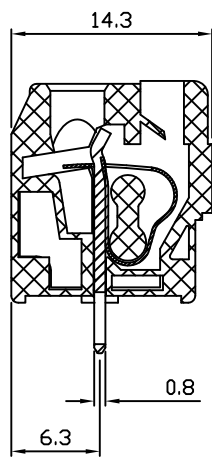
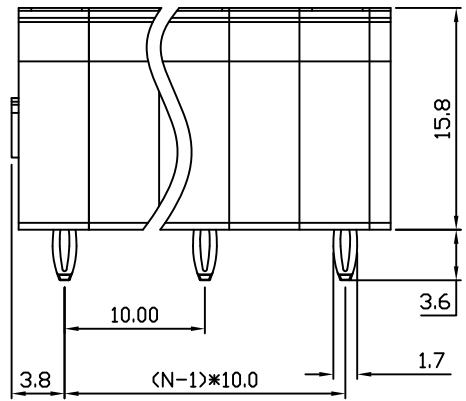
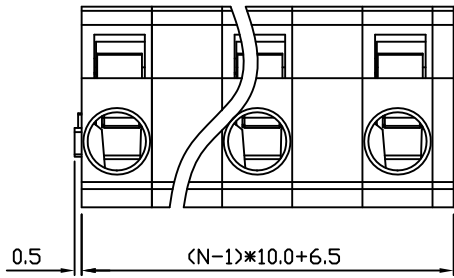


Pb RoHS Compliant

Rev.	ECO#	Date	By
D	0409-0413	04/02/13	AJT



Material:	
Contact Press Pin:	Brass, Tin Plated
Wire Retention Spring:	Stainless Steel
Insulating Body:	Polyamide, UL94V-0
Electrical	
Voltage Rating:	250 VAC
Current rating:	8 AMPS
Withstand Voltage:	1500 VAC, Test time 60 sec
Wire Range:	12-28 AWG
Mechanical	
Operating Temperature:	-40°C to +105°C -40°F to +221°F
Safety Approval:	CULUS

Part Number Configuration.

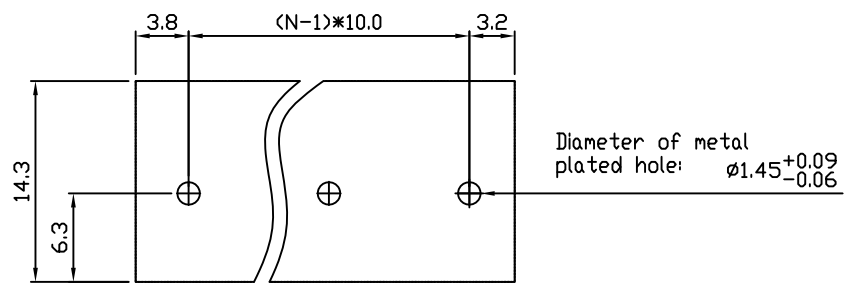
EB487-XX-813

Number of Positions: 8  
Color: 8-Grey

(Other Color Options Available)  
Please consult Factory

MAX NUMBER OF POSITIONS = 12

N=Number of contacts



P.C.B LAYOUT

UNLESS OTHERWISE SPECIFIED BREAK ALL SHARP EDGES AND DEBURR ALL HOLES

TITLE: 10.00mm SPACING, SCREWLESS BLOCK PRESS FIT

LIMITS: UNLESS OTHERWISE SPECIFIED HUND.±0.02 FRACT.±1/64 THOU.±0.005 ANGLE±1°	SCALE	THIS IS A CONFIDENTIAL DRAWING AND MUSTBE TREATED AS SUCH. NO DISTRIBUTION IS ALLOWED WITHOUT WRITTEN APPROVAL BY EBYP ELECTRO INC.	EBYP Electro Inc. PLAINVIEW, NY 11803
--	-------	---	--

IMPORTANT DISCLAIMER: All information provided on this print is for reference. Always perform your own tests and acquire samples and further information to determine product suitability. While we make effort to provide accurate information, we cannot be responsible for errors either of omission or typographical. EBYP Electro, Inc. assumes no responsibility for the use or suitability of any product. All products and specifications are subject to change without prior written notice.

METRIC LIMITS ONE PLACE ±0.3 TWO PLACES ±0.10 ANGLE ±1°	DRAWN JM CHECKED APPROVED	DATE 07/25/07 DATE DATE	SIZE A	DRAWING NUMBER: EB487-XX-813	REV. D
--	---------------------------------	-------------------------------	--------	---------------------------------	-----------