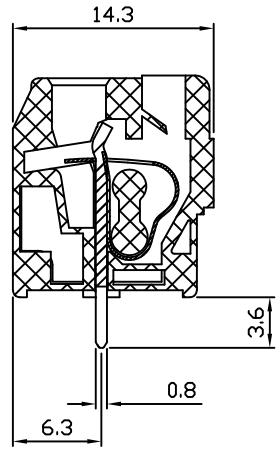
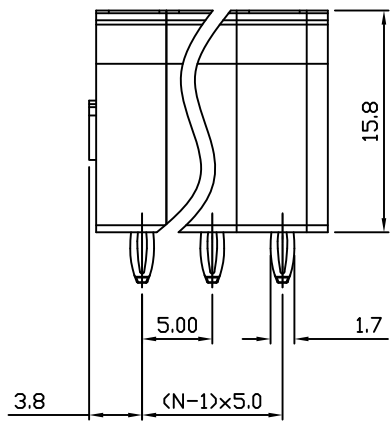
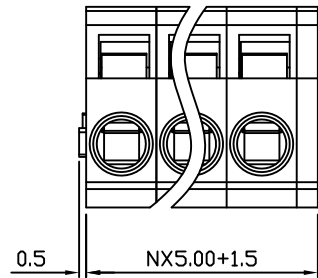


RoHS Compliant

Rev.	ECO#	Date	By
D	0361-0313	03/26/13	AJT



Material:	
Contact Press Pin:	Brass, Tin Plated
Wire Retention Spring:	Stainless Steel
Insulating Body:	Polyamide, UL94V-0
Electrical	
Voltage Rating:	250 VAC
Current rating:	8 AMPS
Withstand Voltage:	1500 VAC, Test time 60 sec
Wire Range:	12-28 AWG
Mechanical	
Operating Temperature:	-40°C to +105°C -40°F to +221°F
Safety Approval:	US

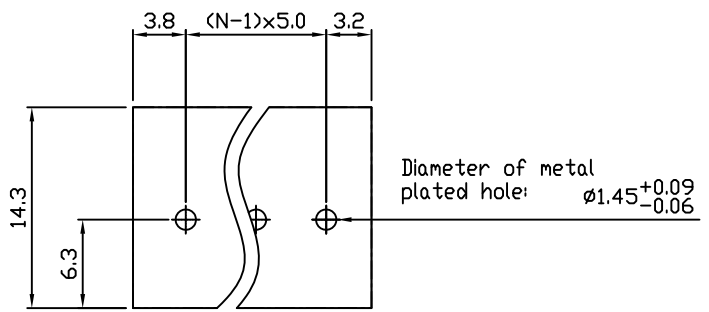
N=Number of contacts

Part Number Configuration.

EB487-XX-810

Number of Positions Color
8-Grey

(Other Color Options Available)
Please consult Factory



P.C.B LAYOUT

MAX NUMBER OF POSITIONS = 24

UNLESS OTHERWISE SPECIFIED BREAK ALL SHARP EDGES AND DEBURR ALL HOLES	TITLE:	5.00mm SPACING, SCREWLESS BLOCK PRESS FIT	
	LIMITS: UNLESS OTHERWISE SPECIFIED HUND.±.02 FRACT.±1/64 THOU.±.005 ANGLE±1°	SCALE	THIS IS A CONFIDENTIAL DRAWING AND MUSTBE TREATED AS SUCH. NO DISTRIBUTION IS ALLOWED WITHOUT WRITTEN APPROVAL BY EB487 ELECTRO INC.
 PLAINVIEW, NY 11803		SIZE	DRAWING NUMBER:
		A	EB487-XX-810

IMPORTANT DISCLAIMER: All information provided on this print is for reference. Always perform your own tests and acquire samples and further information to determine product suitability. While we make effort to provide accurate information, we cannot be responsible for errors either of omission or typographical. EB487 Electro, Inc. assumes no responsibility for the use or suitability of any product. All products and specifications are subject to change without prior written notice.

METRIC LIMITS ONE PLACE ±0.3 TWO PLACES ±0.10 ANGLE ±1°	DRAWN <u> JM </u> DATE <u> 07/25/07 </u>	SIZE	DRAWING NUMBER:	REV.
	CHECKED _____ DATE _____	A	EB487-XX-810	D
	APPROVED _____ DATE _____			