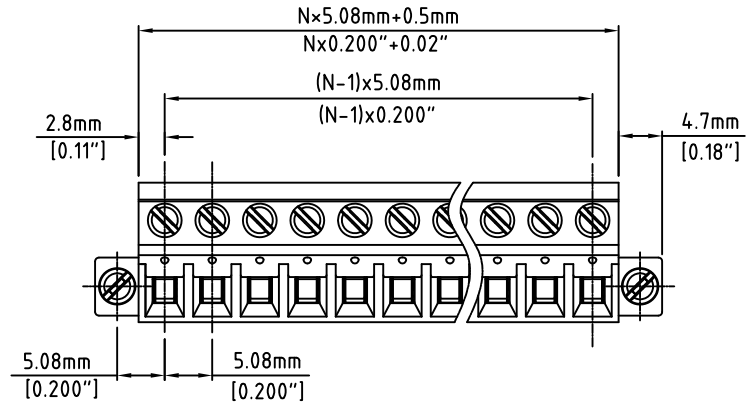
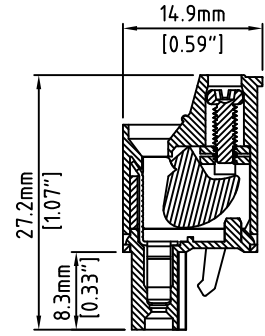
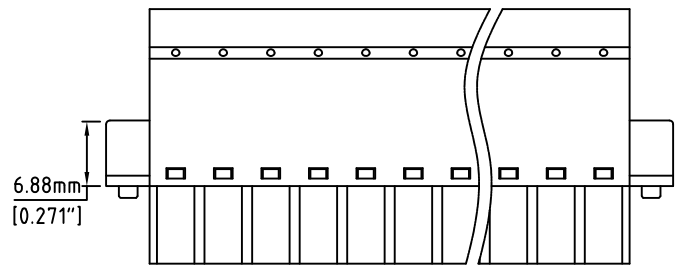


Material:	
Contact Housing:	Steel, Zinc Plated
Contact Cam:	PhBz, Tin Plated
Contact Clip:	PhBz, Tin Plated
Mounting Screw:	M2.5, Steel, Zinc Plated, "-" slotted
Screw:	M2.5, Steel, Zinc Plated, "-" slotted
Insulating Body:	Polyamide, UL94V-0, Green
Electrical	
Voltage Rating:	300 VAC
Current rating:	20 AMPS
Withstand Voltage:	1500 VAC, Test time 60 sec
Wire Range:	12-22 AWG
Mechanical	
Torque:	3.5 lbs-in. Max
Operating Temperature:	-40°C to +115°C -40°F to +239°F
Safety Approval:	CSA US



N=Number of Positions



Part Number Configuration.
 EB1567M-XX-500
 Number of Positions: X
 Color: 5-Green

(Other Color Options Available)
 Please consult Factory

Max Number of Positions = 24

UNLESS OTHERWISE SPECIFIED BREAK ALL SHARP EDGES AND DEBURR ALL HOLES
 TITLE: 5.08mm SPACING, PLUGGABLE BLOCK

LIMITS: UNLESS OTHERWISE SPECIFIED HUND. ±.02 FRACT. ±1/64 THOU. ±.005 ANGLE ±1°	SCALE	THIS IS A CONFIDENTIAL DRAWING AND MUST BE TREATED AS SUCH. NO DISTRIBUTION IS ALLOWED WITHOUT WRITTEN APPROVAL BY EB1567M-XX-500.	EBY Electro Inc. PLAINVIEW, NY 11803
---	-------	--	--