

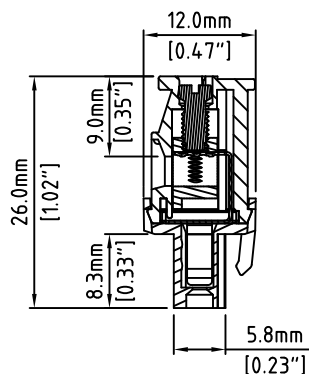
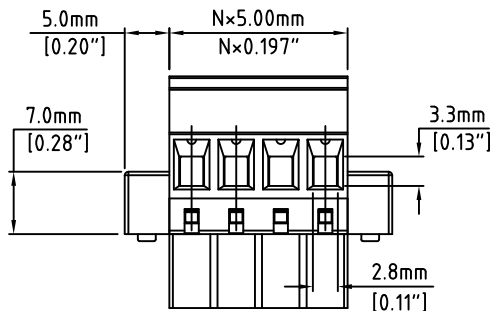
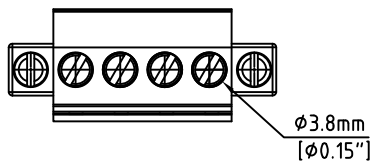
RoHS Compliant

Rev.

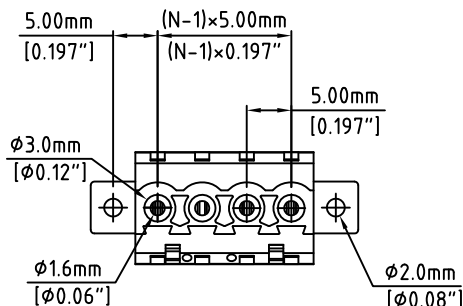
Description/Eco

Date

By



N=Number of Positions



| Material: | |
|------------------------|---------------------------------------|
| Contact Block: | Brass, Ni Plated |
| Contact Clip: | PhBz, Tin Plated |
| Screw: | M3, Steel, Zinc Plated, "-" slotted |
| Flange Screw: | M2.5, Steel, Zinc Plated, "-" slotted |
| Insulating Body: | Polyamide, UL94V-0, Green |
| Electrical | |
| Voltage Rating: | 300 VAC |
| Current rating: | 15 AMPS |
| Withstand Voltage: | 1500 VAC, Test time 60 sec |
| Wire Range: | 12-24 AWG |
| Mechanical | |
| Torque: | 3.5 lbs-in. Max |
| Operating Temperature: | -40°C to +105°C -40°F to +221°F |
| Safety Approval: | UL US |

Part Number Configuration.

EB1550BM-XX-500

Number of Positions: 5
Color: 5-Green

(Other Color Options Available)
Please consult Factory

MAX NUMBER OF POSITIONS = 24

UNLESS OTHERWISE SPECIFIED BREAK ALL SHARP EDGES AND DEBURR ALL HOLES
TITLE: 5.00mm SPACING, PLUGGABLE BLOCK HOOK ON BACK SIDE, MOUNTABLE

LIMITS: UNLESS OTHERWISE SPECIFIED
HUND.±.02 FRACT.±1/64 THOU.±.005 ANGLE±1°
SCALE: THIS IS A CONFIDENTIAL DRAWING AND MUSTBE TREATED AS SUCH. NO DISTRIBUTION IS ALLOWED WITHOUT WRITTEN APPROVAL BY EB1550BM-XX-500
EBY Electro Inc. PLAINVIEW, NY 11803

IMPORTANT DISCLAIMER: All information provided on this print is for reference. Always perform your own tests and acquire samples and further information to determine product suitability. While we make effort to provide accurate information, we cannot be responsible for errors either of omission or typographical. EB1550BM-XX-500 Electro, Inc. assumes no responsibility for the use or suitability of any product. All products and specifications are subject to change without prior written notice.

METRIC LIMITS
ONE PLACE ±0.3
TWO PLACES ±0.10
ANGLE ± 1°
DRAWN: MWP DATE: 10/14/02
CHECKED: DATE:
APPROVED: DATE:
SIZE: A
DRAWING NUMBER: EB1550BM-XX-500
REV.