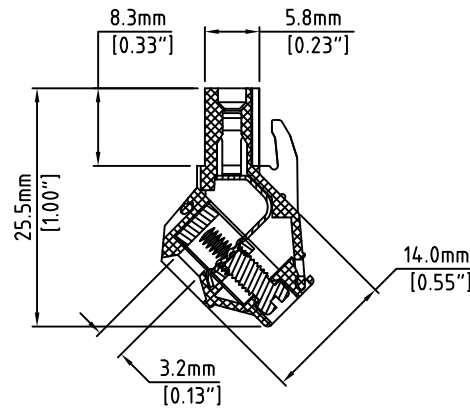
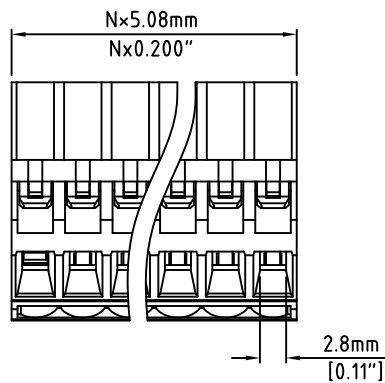


N=Number of Positions



Material:	
Contact Block:	Brass Machined, Tin Plated
Contact Clip:	PhBz, Tin Plated
Screw:	M3, Steel, Zinc Plated, "-" slotted
Insulating Body:	Polyamide, UL94V-0, Green
Electrical	
Voltage Rating:	300 VAC
Current rating:	20 AMPS
Withstand Voltage:	1500 VAC, Test time 60 sec
Wire Range:	12-22 AWG
Mechanical	
Torque:	4.0 lbs-in. Max
Operating Temperature:	-40°C to +115°C -40°F to +239°F
Safety Approval:	UL US

Part Number Configuration.

EB1528-XX-500

Number of Positions: 5  
Color: 5-Green

(Other Color Options Available)  
Please consult Factory

MAX NUMBER OF POSITIONS = 24

UNLESS OTHERWISE SPECIFIED BREAK ALL SHARP EDGES AND DEBURR ALL HOLES  
 TITLE: 5.08mm SPACING, PLUGGABLE BLOCK ANGLED, HOOK ON BACK SIDE

LIMITS: UNLESS OTHERWISE SPECIFIED  
 HUND. ± 0.2 FRACT. ± 1/64 THOU. ± 0.05 ANGLE ± 1°  
 SCALE THIS IS A CONFIDENTIAL DRAWING AND MUST BE TREATED AS SUCH. NO DISTRIBUTION IS ALLOWED WITHOUT WRITTEN APPROVAL BY EB Y ELECTRO INC.  
**EBY** Electro Inc.  
 PLAINVIEW, NY 11803