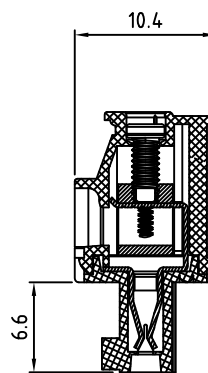
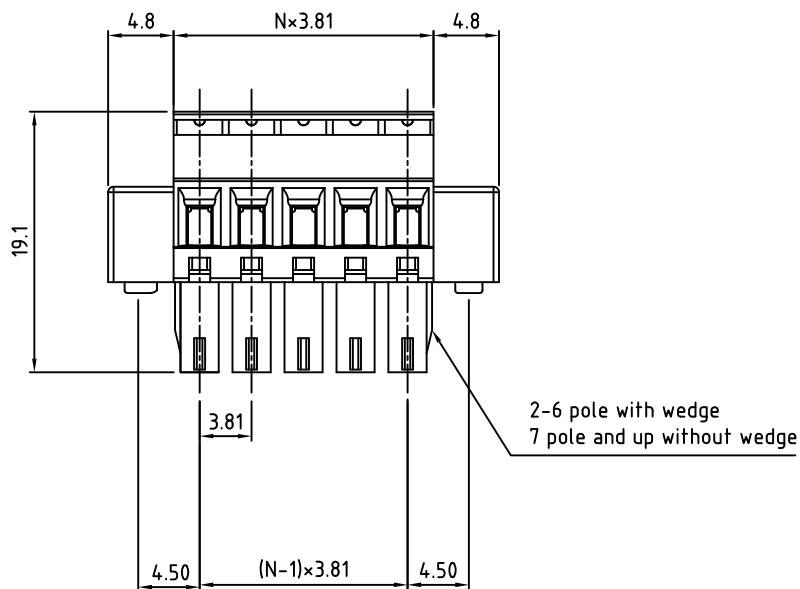


N=Number of Positions



Material:	
Contact Block:	Brass, 160-240µ" Nickel Plated
Contact Clip:	PhBz, Tin Plated
Screw:	M2, Steel, Zinc Plated, "-" slotted
Flange Screw:	M2.5, Steel, Zinc Plated, phil slot
Insulating Body:	Thermoplastic, UL94V-0
Electrical	
Voltage Rating:	300 VAC
Current rating:	8 AMPS
Withstand Voltage:	1500 VAC, Test time 60 sec
Wire Range:	16-28 AWG
Mechanical	
Torque:	1.7 lbs-in.
Operating Temperature:	-40°C to +105°C -40°F to +221°F
Safety Approval:	CE US

Part Number Configuration.

EB1381AM-XX-500

Number of Positions: XX  
Color: 5-Green

(Other Color Options Available)  
(Please consult Factory)

Max Number of Positions = 24

UNLESS OTHERWISE SPECIFIED BREAK ALL SHARP EDGES AND DEBURR ALL HOLES  
TITLE: 3.81mm SPACING, PLUGGABLE BLOCK INSERTION KEY ON ENTRY SIDE, MOUNTABLE

LIMITS: UNLESS OTHERWISE SPECIFIED HUND.±.02 FRACT.±1/64 THOU.±.005 ANGLE±1°	SCALE	THIS IS A CONFIDENTIAL DRAWING AND MUSTBE TREATED AS SUCH. NO DISTRIBUTION IS ALLOWED WITHOUT WRITTEN APPROVAL BY EB ELECTRO INC.	Electro Inc. PLAINVIEW, NY 11803
--	-------	---	-------------------------------------

IMPORTANT DISCLAIMER: All information provided on this print is for reference. Always perform your own tests and acquire samples and further information to determine product suitability. While we make effort to provide accurate information, we cannot be responsible for errors either of omission or typographical. EB Electro, Inc. assumes no responsibility for the use or suitability of any product. All products and specifications are subject to change without prior written notice.

METRIC LIMITS ONE PLACE ±0.3 TWO PLACES ±0.10 ANGLE ± 1°	DRAWN MWP CHECKED APPROVED	DATE 10/11/02 DATE DATE	SIZE A	DRAWING NUMBER: EB1381AM-XX-500	REV. F
---	----------------------------------	-------------------------------	-----------	------------------------------------	-----------