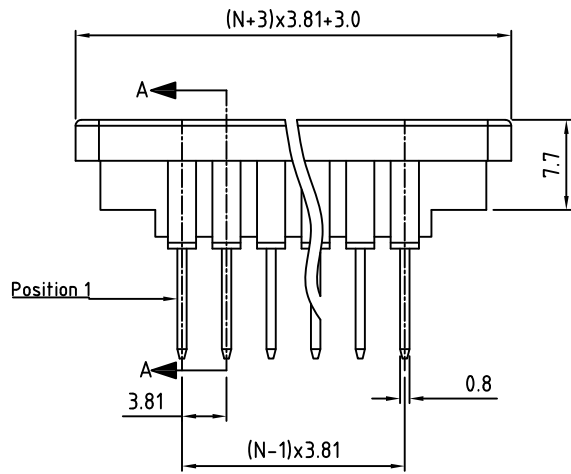
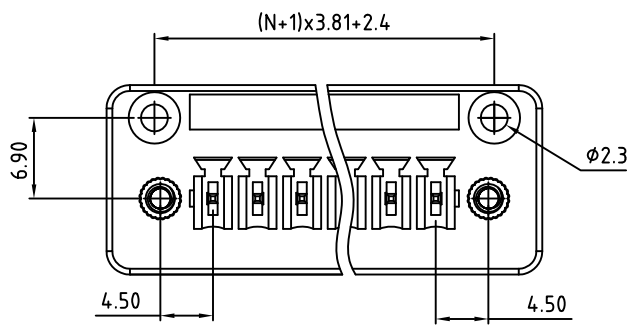
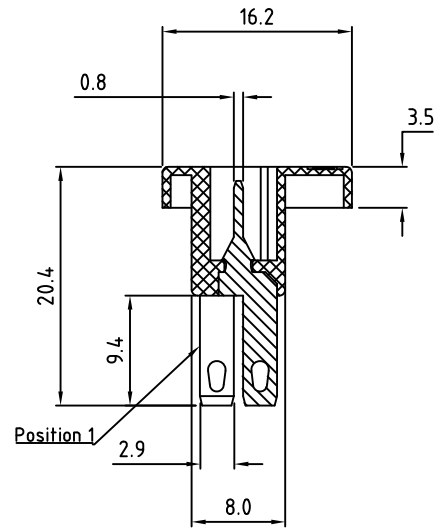


**Pb** RoHS Compliant

Rev.	ECO#	Date	By
B	0452-0413	04/10/13	AJT



N=Number of Positions



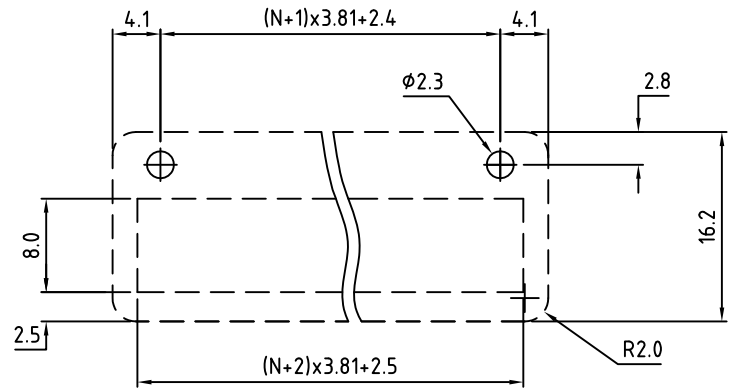
SECTION A-A

Material:	
Contact Solder Pin:	Brass, Tin Plated
Mounting Nuts:	M2.5, Brass
Insulating Body:	Polyamide, UL94V-0
Electrical	
Voltage Rating:	300 VAC
Current rating:	10 AMPS
Withstand Voltage:	1500 VAC, Test time 60 seconds
Mechanical	
Operating Temperature:	-40°C to +105°C -40°F to +221°F
Safety Approval:	US

Part Number Configuration.  
**CM1383-XX-500**  
 | |  
 Number of Positions    Color  
 5                            5-Green

(Other Color Options Available)  
 Please consult Factory

Max Number of Positions = 24



PCB Layout

UNLESS OTHERWISE SPECIFIED BREAK ALL SHARP EDGES AND DEBURR ALL HOLES  
 TITLE: **3.81mm SPACING, PLUGGABLE HEADER MOUNTABLE**

LIMITS: UNLESS OTHERWISE SPECIFIED HUND.±.02    FRACT.±1/64 THOU.±.005    ANGLE±1°	SCALE	THIS IS A CONFIDENTIAL DRAWING AND MUSTBE TREATED AS SUCH. NO DISTRIBUTION IS ALLOWED WITHOUT WRITTEN APPROVAL BY EBY ELECTRO INC.	<b>EBY</b> Electro Inc. PLAINVIEW, NY 11803
--	-------	--	--

IMPORTANT DISCLAIMER: All information provided on this print is for reference. Always perform your own tests and acquire samples and further information to determine product suitability. While we make effort to provide accurate information, we cannot be responsible for errors either of omission or typographical. EBY Electro, Inc. assumes no responsibility for the use or suitability of any product. All products and specifications are subject to change without prior written notice.	METRIC LIMITS ONE PLACE ±0.3 TWO PLACES ±0.10 ANGLE ±1°	DRAWN <u>  JM  </u> DATE <u>  10/21/08  </u>	SIZE <u>  A  </u>	DRAWING NUMBER: <u>  CM1383-XX-500  </u>	REV. <u>  B  </u>
	CHECKED _____    DATE _____	APPROVED _____    DATE _____			