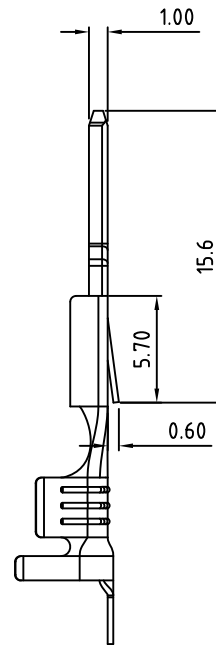
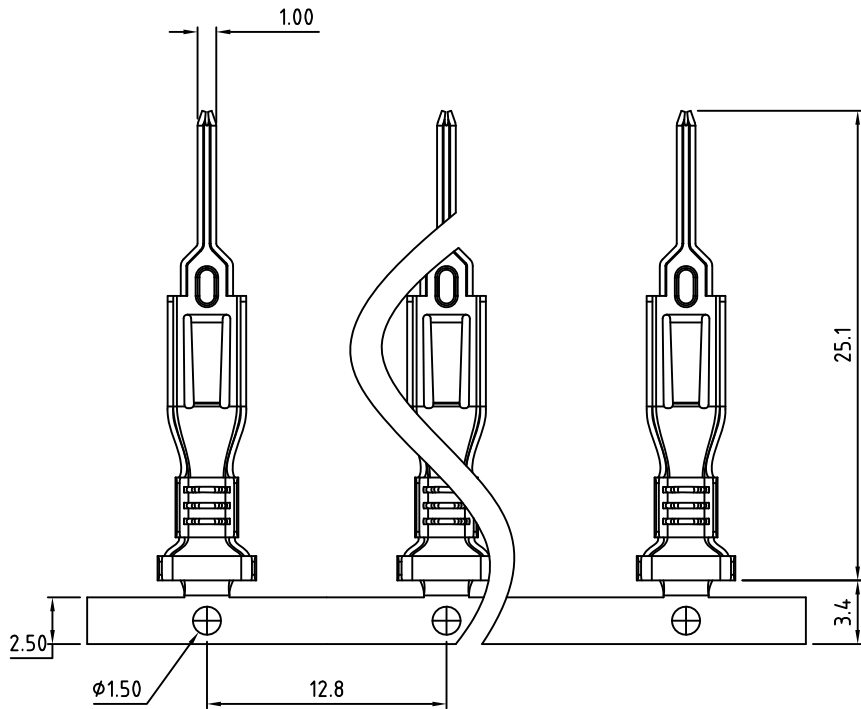


RoHS Compliant

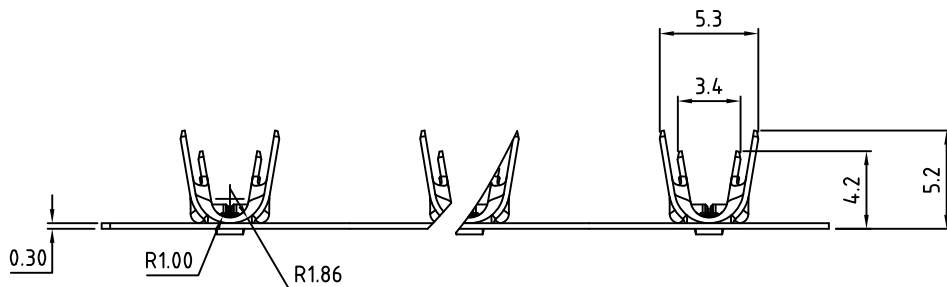
Rev.	ECO#	Date	By
A	1158-1116	11/21/16	AJT



Material:	PhBz, Tin Plated
Wire Range:	14-16 AWG

Note:

- Contact Thickness = 0.30mm
- Male contact is inserted into the pluggable housing, CH1580's & CH1581's, after crimping onto the wire.
- To be inserted one at a time.
- Packaged for Tape & Reel, max 2000/reel.



UNLESS OTHERWISE SPECIFIED BREAK ALL SHARP EDGES AND DEBURR ALL HOLES

TITLE: "SNAP OFF" CRIMPABLE PIN INSERTS

LIMITS: UNLESS OTHERWISE SPECIFIED
HUND. ± 0.2 FRACT. ± 1/64
THOU. ± 0.05 ANGLE ± 1°

SCALE THIS IS A CONFIDENTIAL DRAWING AND MUST BE TREATED AS SUCH. NO DISTRIBUTION IS ALLOWED WITHOUT WRITTEN APPROVAL BY EBYP ELECTRO INC.



IMPORTANT DISCLAIMER: All information provided on this print is for reference. Always perform your own tests and acquire samples and further information to determine product suitability. While we make effort to provide accurate information, we cannot be responsible for errors either of omission or typographical. EBYP Electro, Inc. assumes no responsibility for the use or suitability of any product. All products and specifications are subject to change without prior written notice.

METRIC LIMITS
ONE PLACE ± 0.3
TWO PLACES ± 0.10
ANGLE ± 1°

DRAWN JM DATE 5/5/10
CHECKED DATE
APPROVED DATE

SIZE A

DRAWING NUMBER: C1219-XX

REV. A