

# EUROPA SERIES 2000

## 14.5mm SPACING

### TECHNICAL DATA

#### MECHANICAL

**Torque:**

18.0 lbs-in. Max.

**Operating temperature:**

-35°C to +100°C

-31°F to +212°F

#### MATERIAL

**Contact Block:**

Brass, Tin Plated

**Wire Guard:**

Stainless Steel

**Screw:**

M5 x 10.0mm, Steel, Zinc Plated

**Insulator body:**

Polyamide, UL 94V-2, Natural

#### ELECTRICAL

**Voltage rating:**

UL: 600VAC, CSA: 300VAC

**\*with raised base: 600/600**

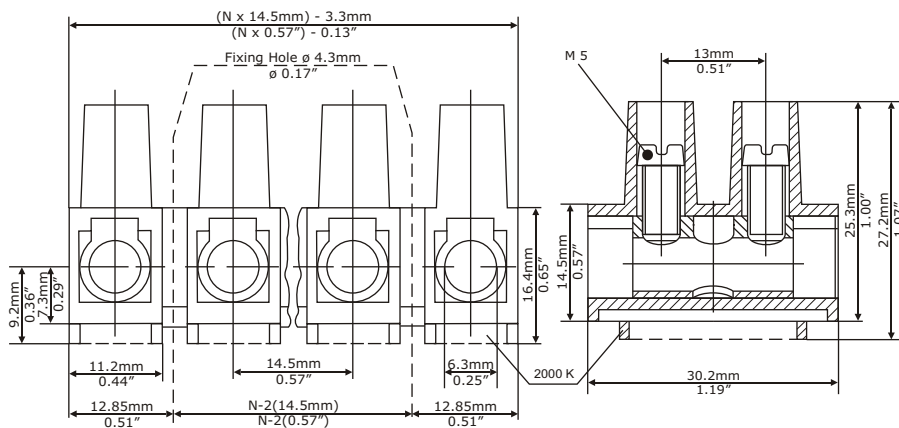
**Current rating:**

UL: 65 Amps, CSA: 70 Amps

**Wire range:**

6-14AWG

### DIMENSIONAL REFERENCE



**SHOWN WITH "K" OPTION (RAISED BASE)**

N = Number of contacts



Safety Approval:



### PART NUMBERING

Part Number / Ordering Information

**2000-XXDS**

NUMBER OF  
POSITIONS  
12 Maximum

DS = Standard wireguard.  
Omit DS if no wireguard is required.

**FOR RAISED BASE ORDER 2000K-XXDS**