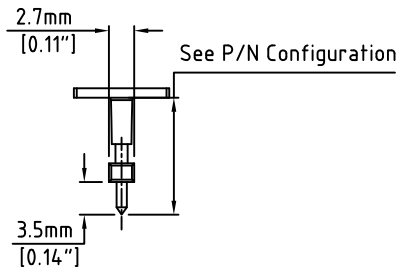
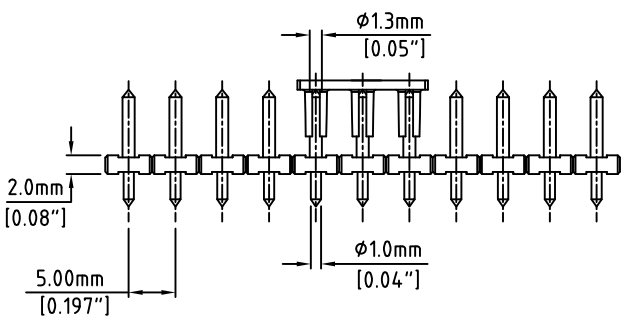
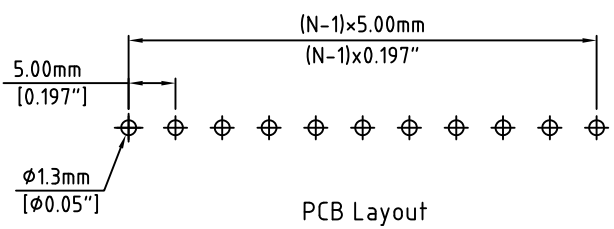
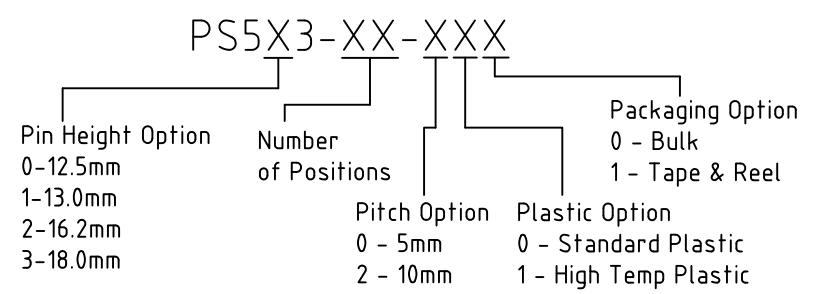


Material:	
Contact Pin:	Brass, Tin Plated
Insulating Body:	Polyamide, UL94V-0, Black
Electrical	
Voltage Rating:	300 VAC
Current rating:	15 AMPS
Withstand Voltage:	1500 VAC, Test time 60 seconds
Mechanical	
Operating Temperature:	-30°C to +105°C -22°F to +221°F
Soldering Temperature:	260°C, 500°F for 5 seconds max. Suitable for Reflow with High Temp plastic
Safety Approval:	

N=Number of Positions



Part Number Configuration.



MAX NUMBER OF POSITIONS = 24

UNLESS OTHERWISE SPECIFIED BREAK ALL SHARP EDGES AND DEBURR ALL HOLES

TITLE: 5.00mm SPACING, PIN STRIP

LIMITS: UNLESS OTHERWISE SPECIFIED HUND.±.02 FRACT.±1/64 THOU.±.005 ANGLE±1°	SCALE	THIS IS A CONFIDENTIAL DRAWING AND MUSTBE TREATED AS SUCH. NO DISTRIBUTION IS ALLOWED WITHOUT WRITTEN APPROVAL BY EBYP ELECTRO INC.	Electro Inc. PLAINVIEW, NY 11803
---------------------------------------------------------------------------------	-------	-------------------------------------------------------------------------------------------------------------------------------------	-------------------------------------