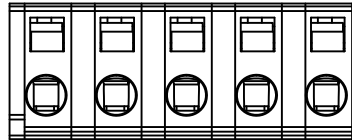
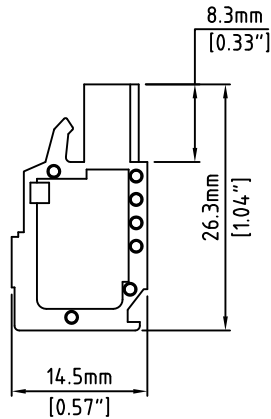
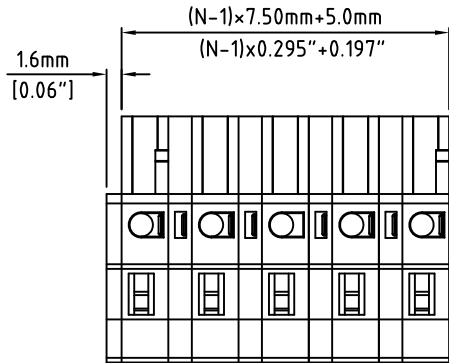


N= Number of Poles



| Material: | |
|------------------------|------------------------------------|
| Contact: | Brass, Tin Plated |
| Wire Retention Spring: | Stainless Steel |
| Insulating Body: | Polyamide, UL94V-0, Green |
| Electrical | |
| Voltage Rating: | 300 VAC |
| Current rating: | 15 AMPS |
| Withstand Voltage: | 1500 VAC, Test time 60 sec |
| Wire Range: | 12-28 AWG |
| Mechanical | |
| Operating Temperature: | -40°C to +105°C -40°F to +221°F |
| Safety Approval: | C US |

Part Number Configuration.

EB480-XX-502

Number of Positions: X
Color: 5-Green

(Other Color Options Available)
Please consult Factory

MAX NUMBER OF POSITIONS = 16

| | | | |
|-----------------------------------------------------------------------|----------------------------------------------------------------------------------------------|-------|-------------------------|
| UNLESS OTHERWISE SPECIFIED BREAK ALL SHARP EDGES AND DEBURR ALL HOLES | TITLE: 7.50mm SPACING, HOOK ON ENTRY SIDE SCREWLESS PLUGGABLE BLOCK | | PLAINVIEW, NY 11803 |
| | LIMITS: UNLESS OTHERWISE SPECIFIED HUND. ±.02 FRACT. ±1/64 THOU. ±.005 ANGLE ±1° | SCALE | |

IMPORTANT DISCLAIMER: All information provided on this print is for reference. Always perform your own tests and acquire samples and further information to determine product suitability. While we make effort to provide accurate information, we cannot be responsible for errors either of omission or typographical. EB4 Electro, Inc. assumes no responsibility for the use or suitability of any product. All products and specifications are subject to change without prior written notice.

| | | | | |
|------------------------------------------------------------------|--------------------------------------|---------------|----------------------------------------|------|
| METRIC LIMITS ONE PLACE ±0.3 TWO PLACES ±0.10 ANGLE ±1° | DRAWN <u>JM</u> DATE <u>07/24/07</u> | SIZE <u>A</u> | DRAWING NUMBER: <u>EB480-XX-502</u> | REV. |
| | CHECKED _____ DATE _____ | | | |
| | APPROVED _____ DATE _____ | | | |