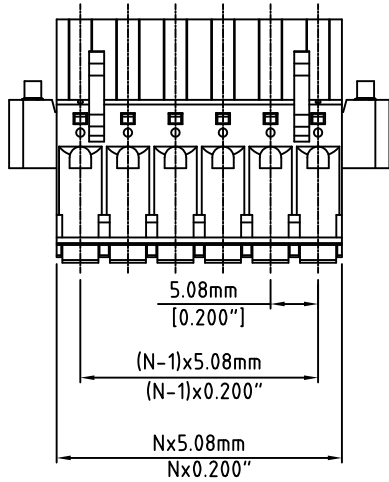
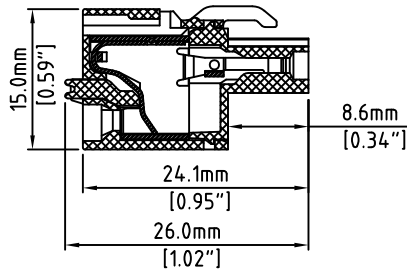
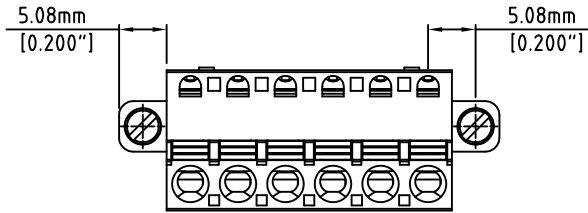


RoHS Compliant

Rev.	Description/Eco	Date	By
A	Transferred over to new format.	07/18/08	JM
B	Added color call out on part number configuration.	08/02/08	JM
C	Modified low end Operating Temperature from -30°C to -40°C and from -22°F to -40°F.	08/14/08	JM



N=Number of contacts



Material:	
Contact Clip:	PhBz, TIn Plated
Wire Retention Spring:	Stainless Steel
Mounting Flange Screw:	Steel, Zinc Plated
Insulating Body:	Polyamide, UL94V-0, Green
Electrical	
Voltage Rating:	300 VAC
Current rating:	10 AMPS
Withstand Voltage:	1500 VAC, Test time 60 sec
Wire Range:	12-26 AWG
Mechanical	
Operating Temperature:	-40°C to +105°C -40°F to +221°F
Safety Approval:	CSURUS

Part Number Configuration.

EB454M-XX-500

Number of Positions: 5  
Color: 5-Green

(Other Color Options Available)  
Please consult Factory

MAX NUMBER OF POSITIONS = 24

UNLESS OTHERWISE SPECIFIED BREAK ALL SHARP EDGES AND DEBURR ALL HOLES	TITLE: 5.08mm SPACING, SCREWLESS PLUGGABLE BLOCK HOOK ON UP SIDE, WITH MOUNTING FLANGES	
	LIMITS: UNLESS OTHERWISE SPECIFIED HUND.±.02 FRACT.±1/64 THOU.±.005 ANGLE±1°	SCALE: THIS IS A CONFIDENTIAL DRAWING AND MUSTBE TREATED AS SUCH. NO DISTRIBUTION IS ALLOWED WITHOUT WRITTEN APPROVAL BY EB454M-XX-500
		PLAINVIEW, NY 11803

IMPORTANT DISCLAIMER: All information provided on this print is for reference. Always perform your own tests and acquire samples and further information to determine product suitability. While we make effort to provide accurate information, we cannot be responsible for errors either of omission or typographical. EB454M-XX-500 Electro, Inc. assumes no responsibility for the use or suitability of any product. All products and specifications are subject to change without prior written notice.

METRIC LIMITS ONE PLACE ±0.3 TWO PLACES ±0.10 ANGLE ±1°	DRAWN: JM CHECKED: _____ APPROVED: _____	DATE: 07/26/07 DATE: _____ DATE: _____	SIZE: A	DRAWING NUMBER: EB454M-XX-500	REV.: C
------------------------------------------------------------------	------------------------------------------------	----------------------------------------------	---------	----------------------------------	------------