

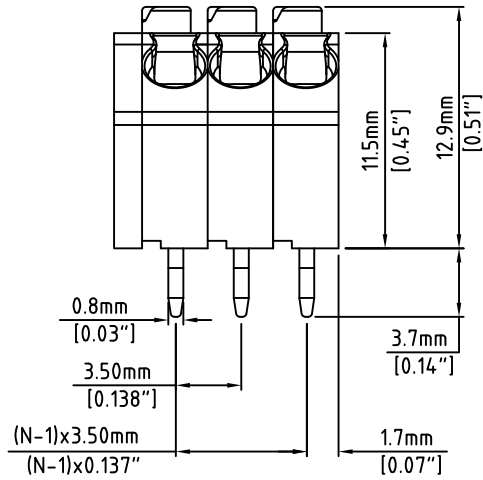
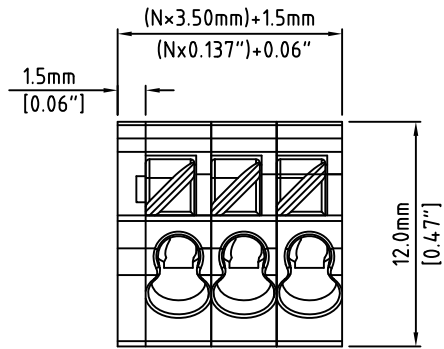
RoHS Compliant

Rev.

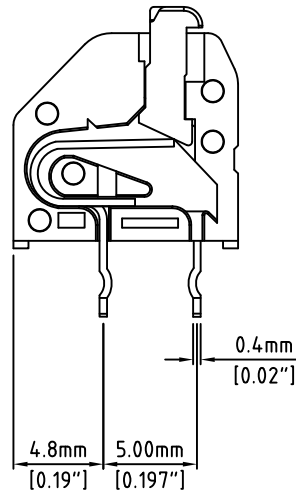
Description/Eco

Date

By



N=Number of contacts



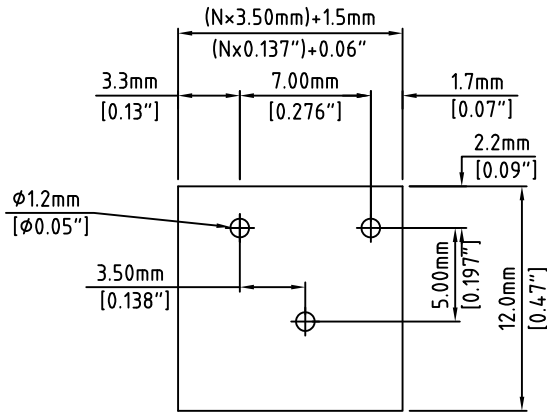
Material:	
Contact Solder Pin:	PhBz, Tin Plated
Insulating Body:	Polyamide, UL94V-0, Grey
Electrical	
Voltage Rating:	300 VAC
Current rating:	6 AMPS
Withstand Voltage:	1500 VAC, Test time 60 sec
Wire Range:	16-20 AWG
Mechanical	
Operating Temperature:	-40°C to +105°C -40°F to +221°F
Soldering Temperature:	260°C, 500°F for 5 seconds
Safety Approval:	UL US

Part Number Configuration.

EB432-XX-800

Number of Positions: 8
Color: 8-Grey

(Other Color Options Available)
Please consult Factory



P.C.B. LAYOUT

MAX NUMBER OF POSITIONS = 24

UNLESS OTHERWISE SPECIFIED BREAK ALL SHARP EDGES AND DEBURR ALL HOLES
TITLE: 3.50mm SPACING, SCREWLESS BLOCK STAGGERED, LEFT MOST PIN IN REAR

LIMITS: UNLESS OTHERWISE SPECIFIED HUND. ± 0.2 THOU. ± 0.05	FRACT. ± 1/64 ANGLE ± 1°	SCALE	THIS IS A CONFIDENTIAL DRAWING AND MUST BE TREATED AS SUCH. NO DISTRIBUTION IS ALLOWED WITHOUT WRITTEN APPROVAL BY EB4 ELECTRO INC.	EB4 Electro Inc. PLAINVIEW, NY 11803
---	-----------------------------	-------	---	--

IMPORTANT DISCLAIMER: All information provided on this print is for reference. Always perform your own tests and acquire samples and further information to determine product suitability. While we make effort to provide accurate information, we cannot be responsible for errors either of omission or typographical. EB4 Electro, Inc. assumes no responsibility for the use or suitability of any product. All products and specifications are subject to change without prior written notice.

METRIC LIMITS ONE PLACE ± 0.3 TWO PLACES ± 0.10 ANGLE ± 1°	DRAWN: MWP CHECKED: _____ APPROVED: _____	DATE: 10/10/06 DATE: _____ DATE: _____	SIZE: A	DRAWING NUMBER: EB432-XX-800	REV.
---	---	--	---------	------------------------------	------