

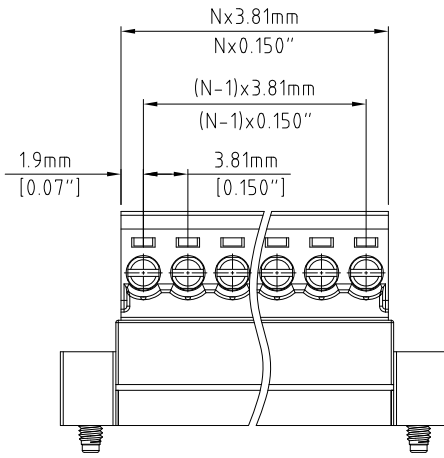
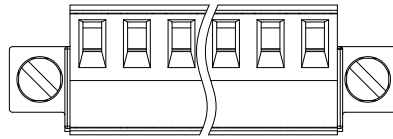
RoHS Compliant

Rev.

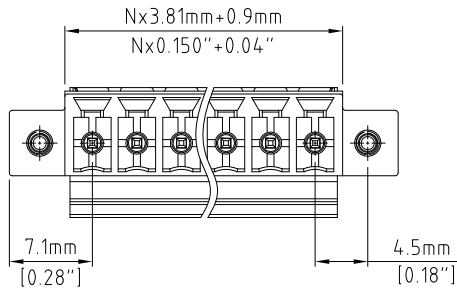
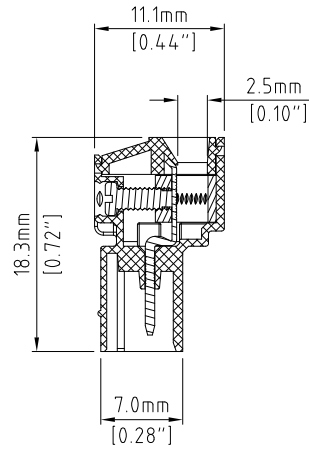
Description/Eco

Date

By



N=Number of Positions



Material:	
Contact Block:	Brass, Zinc Plated
Contact Pin:	Brass, Tin Plated
Screw:	M2, Steel, Zinc Plated, "-" slotted
Flange Screw:	Steel, Zinc Plated, "-" slotted
Insulating Body:	Polyamide, UL94V-0, Green
Electrical	
Voltage Rating:	300 VAC
Current rating:	8 AMPS
Withstand Voltage:	1500 VAC, Test time 60 sec
Wire Range:	14-30 AWG
Mechanical	
Torque:	2.2 lbs-in. Max
Operating Temperature:	-40°C to +105°C -40°F to +221°F
Safety Approval:	UL US

Part Number Configuration.

EB1338MS-XX-500

Number of Positions: 5  
Color: 5-Green

(Other Color Options Available)  
Please consult Factory

Max Number of Positions = 24

UNLESS OTHERWISE SPECIFIED BREAK ALL SHARP EDGES AND DEBURR ALL HOLES  
TITLE: 3.81mm SPACING, PLUGGABLE BLOCK WITH MOUNTING SCREW

LIMITS: UNLESS OTHERWISE SPECIFIED  
HUND. ± 0.2 FRACT. ± 1/64 THOU. ± 0.05 ANGLE ± 1°  
SCALE THIS IS A CONFIDENTIAL DRAWING AND MUST BE TREATED AS SUCH. NO DISTRIBUTION IS ALLOWED WITHOUT WRITTEN APPROVAL BY EB1338MS-XX-500  
EB1338MS-XX-500  
PLAINVIEW, NY 11803

IMPORTANT DISCLAIMER: All information provided on this print is for reference. Always perform your own tests and acquire samples and further information to determine product suitability. While we make effort to provide accurate information, we cannot be responsible for errors either of omission or typographical. EB1338MS-XX-500 Electro, Inc. assumes no responsibility for the use or suitability of any product. All products and specifications are subject to change without prior written notice.

METRIC LIMITS ONE PLACE ± 0.3 TWO PLACES ± 0.10 ANGLE ± 1°  
DRAWN JM DATE 01/14/09  
CHECKED DATE  
APPROVED DATE  
SIZE A  
DRAWING NUMBER: EB1338MS-XX-500  
REV.