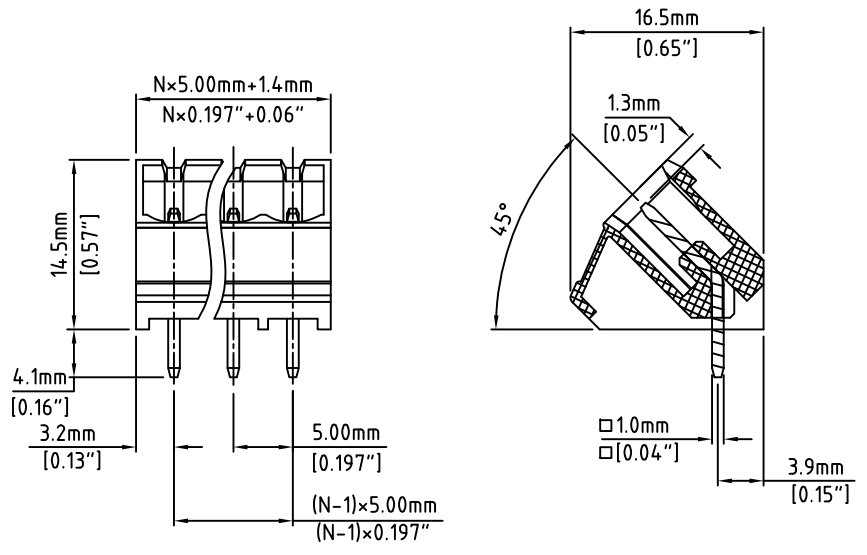
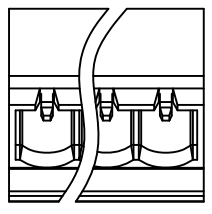
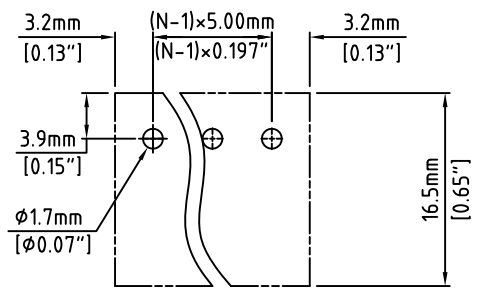


RoHS Compliant

Rev.	Description/Eco	Date	By



N=Number of Positions



P.C.B. Layout

Material:	
Contact Solder Pin:	Brass, Tin Plated
Insulating Body:	Polyamide, UL94V-0, Green
Electrical	
Voltage Rating:	300 VAC
Current rating:	15 AMPS
Withstand Voltage:	1500 VAC, Test time 60 seconds
Mechanical	
Operating Temperature:	-40°C to +105°C -40°F to +221°F
Soldering Temperature:	260°C, 500°F for 5 seconds max.
Safety Approval:	

Part Number Configuration.

AC1500-XX-500

Number of Positions Color Option
5 5-Green

(Other Color Options Available)
(Please consult Factory)

Max Number of Positions = 24

UNLESS OTHERWISE SPECIFIED BREAK ALL SHARP EDGES AND DEBURR ALL HOLES	TITLE: 5.00mm SPACING, PLUGGABLE HEADER ANGLED CLOSED		 PLAINVIEW, NY 11803
	LIMITS: UNLESS OTHERWISE SPECIFIED HUND. ±.02 FRACT. ±1/64 THOU. ±.005 ANGLE ±1°	SCALE	