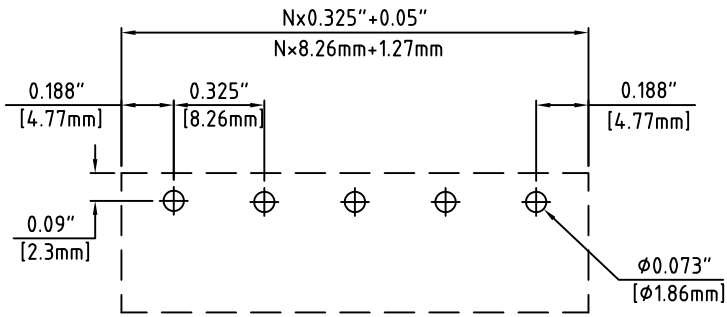


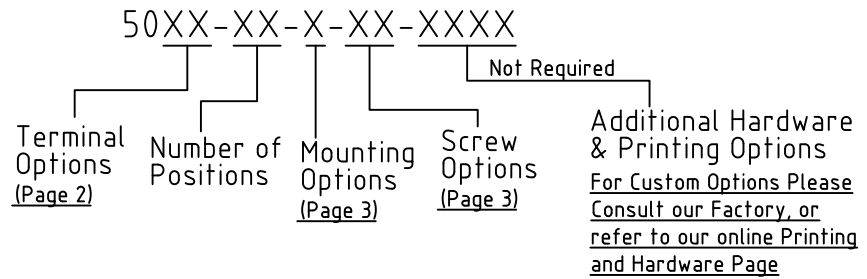
| Material: | |
|------------------------|------------------------------------|
| Contact Solder Pin: | Brass, Tin Plated |
| Terminal Screw: | #6-32, Phil Slot |
| Insulating Body: | Polycarbonate, UL94V-0, Black |
| Electrical | |
| Voltage Rating: | 300 VAC |
| Current rating: | 20 AMPS |
| Wire Range: | 12-26 AWG |
| Mechanical | |
| Torque: | 10 lbs-in Max. |
| Operating Temperature: | -40°C to +105°C -40°F to +221°F |
| Soldering Temperature: | 260°C, 500°F for 5 seconds max. |
| Safety Approval: | UL US |

N=Number of Positions



P.C.B. Layout

Part Number Configuration.



Max Number of Positions = 26

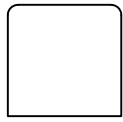
| | |
|-----------------------------------------------------------------------|------------------------------------------------|
| UNLESS OTHERWISE SPECIFIED BREAK ALL SHARP EDGES AND DEBURR ALL HOLES | TITLE: 0.325" SPACING, BARRIER BLOCK |
|-----------------------------------------------------------------------|------------------------------------------------|

| | | | |
|-------------------------------------------------------------------------------|-------|------------------------------------------------------------------------------------------------------------------------------------|------------------------------------------------|
| LIMITS: UNLESS OTHERWISE SPECIFIED HUND.±02 FRACT.±1/64 THOU.±005 ANGLE±1° | SCALE | THIS IS A CONFIDENTIAL DRAWING AND MUSTBE TREATED AS SUCH. NO DISTRIBUTION IS ALLOWED WITHOUT WRITTEN APPROVAL BY EBY ELECTRO INC. | EBY Electro Inc. PLAINVIEW, NY 11803 |
|-------------------------------------------------------------------------------|-------|------------------------------------------------------------------------------------------------------------------------------------|------------------------------------------------|

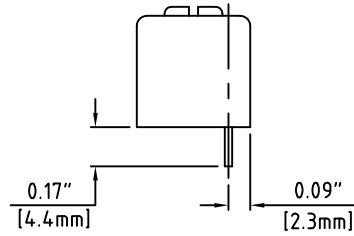
IMPORTANT DISCLAIMER: All information provided on this print is for reference. Always perform your own tests and acquire samples and further information to determine product suitability. While we make effort to provide accurate information, we cannot be responsible for errors either of omission or typographical. EBY Electro, Inc. assumes no responsibility for the use or suitability of any product. All products and specifications are subject to change without prior written notice.

| | | | | |
|------------------------------------------------------------------|--------------------------------------|---------------|-------------------------------------|------|
| METRIC LIMITS ONE PLACE ±0.3 TWO PLACES ±0.10 ANGLE ±1° | DRAWN <u>JM</u> DATE <u>07/12/10</u> | SIZE <u>A</u> | DRAWING NUMBER: 5000-0001 | REV. |
| | CHECKED _____ DATE _____ | | | |
| | APPROVED _____ DATE _____ | | | |

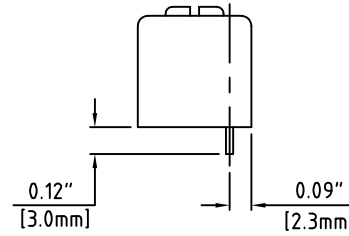
01 - Chassis Mount



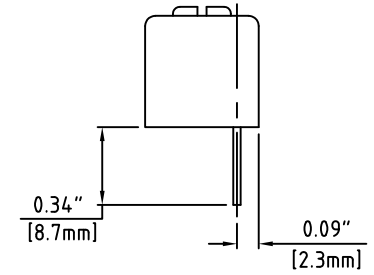
02 - PC



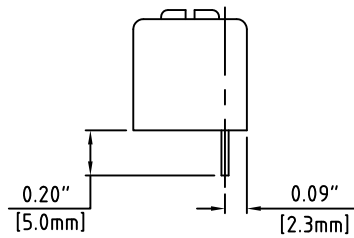
03 - Zero Trim PC



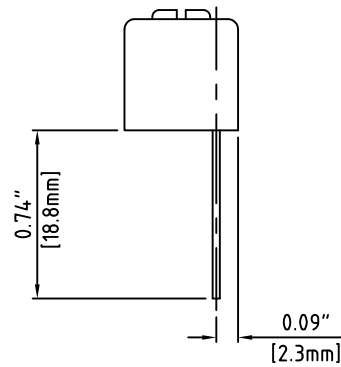
04 - Wire Wrap



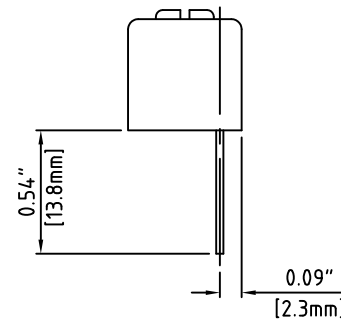
05 - Alternate PC



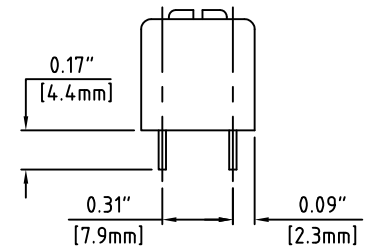
06 - Extended PC



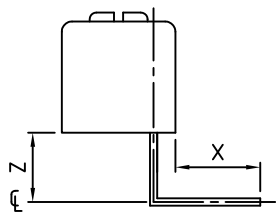
07 - Alternate Extended PC



22 - Dual PC



09 - Right Angle



| Code | "X" Min | "Z" ±0.04 | EBY Electro offers a wide selection of standard and custom right angle bends for single row PCB mounted terminal blocks. If the exact bend you require is not shown, contact us. Our unique right Angle Manufacturing Process allows any type of bend for the same price as a standard bend. we will give you exactly what you need, the first time and every time. |
|------|---------|-----------|---------------------------------------------------------------------------------------------------------------------------------------------------------------------------------------------------------------------------------------------------------------------------------------------------------------------------------------------------------------------|
| RA02 | 0.10" | 0.15" | |
| RA04 | 0.15" | 0.10" | |
| RA14 | 0.10" | 0.35" | |
| RA16 | 0.15" | 0.30" | |
| RA18 | 0.20" | 0.25" | |
| RA20 | 0.25" | 0.20" | |

Terminal Options

UNLESS OTHERWISE SPECIFIED BREAK ALL SHARP EDGES AND DEBURR ALL HOLES

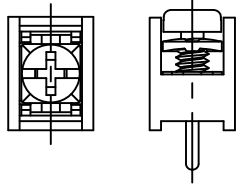
TITLE: Part Number Configuration for 5000 Series

LIMITS: UNLESS OTHERWISE SPECIFIED
 HUND. ±0.02 FRACT. ±1/64 THOU. ±0.005 ANGLE ±1°

SCALE THIS IS A CONFIDENTIAL DRAWING AND MUST BE TREATED AS SUCH. NO DISTRIBUTION IS ALLOWED WITHOUT WRITTEN APPROVAL BY EBYP ELECTRO INC.

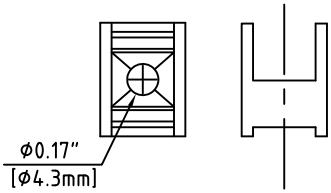
EBY Electro Inc.
 PLAINVIEW, NY 11803

N - No Mounting Ends

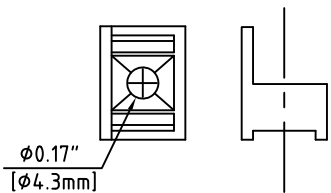


Mounting Options

H - $\phi 0.170$, No Plate With End Barriers



K - $\phi 0.170$, No Plate Without End Barriers



Available Screw Options

- 00 - No Screws
- 01 - Steel, Zinc Plated,
- 02 - Steel, Zinc plated, w/ Washer
- 03 - Brass, Nickel Plated
- 04 - Brass, Nickel Plated, w/ Washer
- 11 - Steel, Zinc Plated, Captive
- 12 - Steel, Zinc Plated, Captive, w/ Washer
- 13 - Brass, Nickel Plated, Captive
- 14 - Brass, Nickel Plated, Captive, w/ Washer
- 21 - Steel, Zinc Plated, Captive, Wire Ready
- 22 - Steel, Zinc Plated, Captive, Wire Ready, w/ Washer
- 23 - Brass, Nickel Plated, Captive, Wire Ready
- 24 - Brass, Nickel Plated, Captive, Wire Ready, w/ Washer
- 46 - Steel, Zinc Plated, Thread Interrupt, Wire Ready, w/ Washer

UNLESS OTHERWISE SPECIFIED BREAK ALL SHARP EDGES AND DEBURR ALL HOLES

TITLE: Part Number Configuration for 5000 Series

| | | | | |
|---------------------------------------------------------------------------|------------------------------------------|-------|--------------------------------------------------------------------------------------------------------------------------------------|------------------------------------------|
| LIMITS: UNLESS OTHERWISE SPECIFIED HUND. ± 0.2 THOU. ± 0.05 | FRACT. $\pm 1/64$ ANGLE $\pm 1^\circ$ | SCALE | THIS IS A CONFIDENTIAL DRAWING AND MUST BE TREATED AS SUCH. NO DISTRIBUTION IS ALLOWED WITHOUT WRITTEN APPROVAL BY EBYP ELECTRO INC. | EBYP Electro Inc. PLAINVIEW, NY 11803 |
|---------------------------------------------------------------------------|------------------------------------------|-------|--------------------------------------------------------------------------------------------------------------------------------------|------------------------------------------|

IMPORTANT DISCLAIMER: All information provided on this print is for reference. Always perform your own tests and acquire samples and further information to determine product suitability. While we make effort to provide accurate information, we cannot be responsible for errors either of omission or typographical. EBYP Electro, Inc. assumes no responsibility for the use or suitability of any product. All products and specifications are subject to change without prior written notice.

| | | | | | |
|--------------------------------------------------------------------------------------|----------------------------------------------------|--------------------------------------------------|------------------|-------------------------------------|------|
| METRIC LIMITS ONE PLACE ± 0.3 TWO PLACES ± 0.10 ANGLE $\pm 1^\circ$ | DRAWN <u>JM</u> CHECKED _____ APPROVED _____ | DATE <u>07/12/10</u> DATE _____ DATE _____ | SIZE A | DRAWING NUMBER: 5000-0003 | REV. |
|--------------------------------------------------------------------------------------|----------------------------------------------------|--------------------------------------------------|------------------|-------------------------------------|------|